



Mounting System for Flat Roof

1

Non-penetrating Solution

- Non-penetrating roof ballast mounting ensure water-tightness.

2

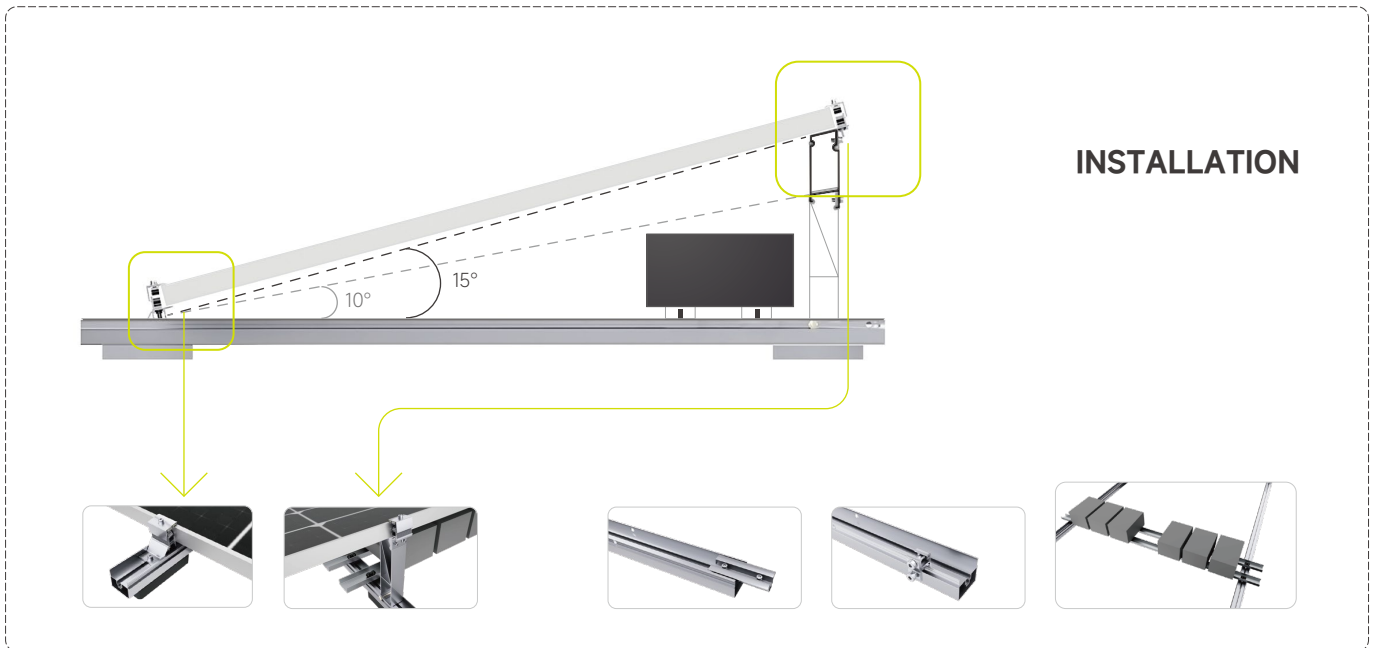
Fast and Simple Installation

- Fast and simple installation, PV panel's clamp are preassembled on front and rear leg.

3

Customized Design

- Ballast weight is customizable to different wind zone.



INSTALLATION

SPECIFICATION

System Name	Solar Mounting System
Ground Type	Al
Tilt Angle	10°-15°
Wind Load	1.5kN/m ²
Snow Load	1.0kN/m ²
Applicable Solar Module	Framed
Panel Layout	Landscape
Design Standard	BS EN, ASCE7-10, BS 6399, AS-NZS 1170, GB 50009-2012, MS 1553
Material	AL-6005-T6, SUS304
Color	Silver/Black
Warranty	10-year

COMPONENT

1		Rubber block	5		Grounding lug kit
2		15° leg extension kit	6		South single leg kit
3		Bottom beam splice kit	7		East-west single leg kit
4		Rotary clip			C steel